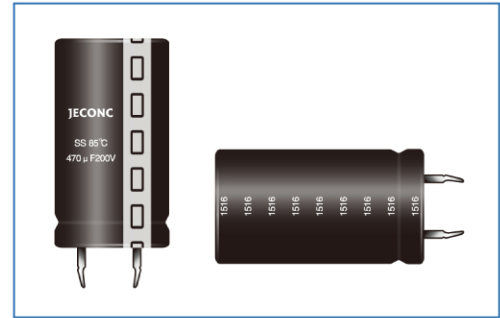


SS 系列 SERIES

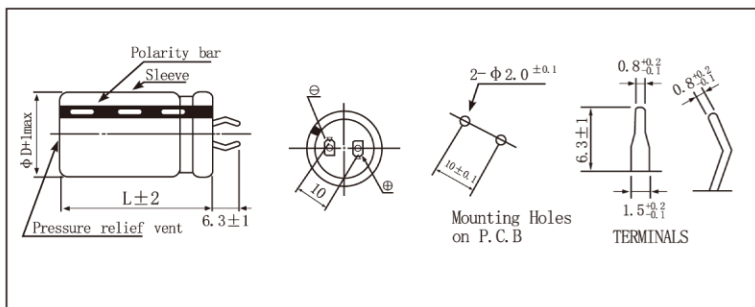
- 2000h at 85°C
- Standard 85°C



◆ SPECIFICATION

Items	Characteristics										
Operating Temperature Range(°C)	-40~+85°C	-25~+85°C									
Voltage range (V)	10~400V	450~500V									
Capacitance Range (µF)	68~82000 µF										
Capacitance Tolerance	±20% (at 20°C, 120Hz)										
leakage current (µA)	After 5 minutes at 20°C application of rated voltage, leakage current is not more than 0.01CV or 1.5mA, whichever is smaller, C:Nominal Capacitance (µF) V :Rated Voltage (V)										
Dissipation Factor(Tan δ)	Rated Voltage (V)	10~16	25	35~50	63	80~100	Rated Voltage (V)	160~200	250~500		
	Cap(µF)	≤2700	—	—	0.2	0.15	0.15	φ (mm)	22~30	0.1	0.15
		3300~4700	—	0.35	0.25	0.2	0.15		35	0.12	0.15
		5600~6800	0.4	0.35	0.3	0.2	0.2				
		≥8200	0.4	0.35	0.35	0.25	—				
											(at 20°C, 120Hz)
Low Temperature Characteristics	Rated Voltage (V)	10		10~35	50~100	160~200	250~400	450~500			
	Impedance Ratio	Z-25°C/Z+20°C		5	4	3	4	—			
		Z-40°C/Z+20°C		18	15	10	6	—			
									(at 120Hz)		
Load Life	The following specifications shall be satisfied when the capacitors are restored to 20°C after subjected to DC voltage with the rated rippled current is applied for 2000 hours at 85°C .										
	Capacitance change	Within ±20%initial value									
	D.F. (Tan δ)	Not more than 200% of specified value									
	leakage current	Not more than specified value									
Shelf Life	The following specifications shall be satisfied when the capacitors are restored to 20°C after exposing them for 1,000 hours at 85°C without voltage applied .Before the measurement , the capacitor shall be preconditioned by applying voltage according to Item 4.1 of JIS C 5101-4.										
	Capacitance change	Within ±20%initial value									
	D.F. (Tan δ)	Not more than 200% of specified value									
	leakage current	Not more than 200% of specified value									

◆ DIMENSIONS(mm)



◆ Frequency Coefficient

Voltage (V)	Frequency				
	50/60Hz	120Hz	1KHz	10KHz	100KHz
≤50	0.95	1.00	1.10	1.15	1.15
63~100	0.95	1.00	1.16	1.30	1.33
≥160	0.95	1.00	1.20	1.50	1.55

◆ Temperature Coefficient

Rated Voltage (V)	Temperature (°C)			
	+40	+55	+70	+85
<160	2.10	1.80	1.50	1.00
≥160	1.70	1.50	1.30	1.00



◆ STANDARD RATINGS

UR (Surge Voltage) Code	Rated Capacitance	Max ESR 20°C120Hz	Rated Ripple Current 85°C120Hz	Size φD×L
(V)	(μF)	(mΩ)	(mA rms)	(mm)
10 (13) 1A	10000	54	2500	22×25
	12000	45	2900	22×25
	15000	36	3200	22×30
		36	3100	25×25
	18000	30	3600	22×35
		30	3600	25×30
	22000	25	4000	22×40
		25	4100	25×35
		25	4100	30×25
	33000	17	4600	25×40
		17	4800	30×30
	39000	17	4800	35×25
		14	5200	25×45
		14	5300	30×35
	47000	12	5800	25×50
		12	6000	30×40
12		6000	35×30	
56000	9.5	6700	30×45	
	9.5	6800	35×35	
68000	7.9	7500	30×50	
	7.9	7700	35×40	
82000	6.5	8700	35×45	
16 (20) 1C	8200	65	2200	22×25
	10000	54	2600	22×30
	12000	54	2600	25×25
		45	2900	22×35
	15000	36	3300	22×40
		36	3300	25×30
	18000	36	3400	30×25
		30	3800	22×45
	22000	30	3700	25×35
		25	4200	22×50
		25	4200	25×40
	27000	25	4200	30×30
		25	4400	35×25
		20	5000	25×45
	33000	20	5000	30×35
		17	5600	30×40
39000	17	5600	35×30	
	14	6200	30×45	
47000	14	6300	35×35	
	12	7000	30×50	
56000	12	7200	35×40	
	9.5	8000	35×45	
25 (32) 1E	5600	83	2000	22×25
	6800	69	2300	22×30
		69	2300	25×25
	8200	57	2600	22×35
		47	2900	22×40
	10000	47	2800	25×30
		47	3000	30×25
	12000	39	3300	22×45
		39	3200	25×35
		39	3400	30×30
	15000	31	3700	25×40
		31	3900	35×25
	18000	26	4300	25×50
		26	4200	30×35
		26	4400	35×30
	22000	22	4800	30×40
22		5000	35×35	
33000	15	6500	35×40	
39000	12	7500	35×45	



◆ STANDARD RATINGS

UR (Surge Voltage) Code	Rated Capacitance	Max ESR 20°C120Hz	Rated Ripple Current 85°C120Hz	Size φD×L
(V)	(μF)	(mΩ)	(mA rms)	(mm)
35 (44) 1V	3300	100	1800	22×25
	3900	86	2100	22×30
	4700	71	2200	25×25
	5600	72	2300	22×35
		72	2300	25×30
	6800	59	2900	22×40
		59	2600	25×35
		59	2700	30×25
	8200	57	2800	22×50
		57	2800	25×40
		57	2800	30×30
		57	2900	35×25
	10000	47	3100	25×45
		47	3200	30×35
	12000	39	3500	25×50
		39	3500	30×40
39		3600	35×30	
15000	31	4100	30×45	
	31	4100	35×35	
18000	26	4600	30×50	
	26	4700	35×40	
22000	22	5300	35×45	
27000	18	7000	35×50	
50 (63) 1H	2200	120	1700	22×25
	2700	100	1900	22×30
		100	1900	25×25
	3300	100	2000	22×35
	3900	86	2100	22×35
		86	2100	25×30
		86	2400	30×25
	4700	71	2400	22×40
		71	2400	25×35
	5600	72	2500	22×50
		72	2500	25×40
		72	2500	30×30
		72	2600	35×25
	6800	59	2800	25×45
		59	2800	30×35
	8200	57	3200	25×50
57		3300	30×40	
57		3300	35×30	
10000	47	3400	30×45	
	47	3400	35×35	
12000	39	3800	30×50	
	39	3800	35×40	
15000	31	4500	35×50	
63 (79) 1J	1500	135	1600	22×25
	1800	110	1800	22×30
	2200	91	2000	22×30
		91	2000	25×25
	2700	74	2200	22×35
		74	2300	25×30
	3300	81	2300	22×40
		81	2300	25×35
		81	2300	30×25
	3900	69	2500	22×45
		69	2600	25×40
		69	2600	30×30
		69	2700	35×25
	5600	48	3100	25×45
		48	3200	30×35
		48	3300	35×30



◆ STANDARD RATINGS

UR (Surge Voltage) Code	Rated Capacitance	Max ESR 20°C120Hz	Rated Ripple Current 85°C120Hz	Size φD×L
(V)	(μF)	(mΩ)	(mA _{rms})	(mm)
63 (79) 1J	6800	40	3600	30×40
		40	3700	35×35
	8200	41	3700	30×50
		41	3800	35×40
	10000	34	4300	35×45
12000	28	4800	35×50	
80 (100) 1K	1000	200	1300	22×25
	1200	165	1500	22×30
	1500	133	1700	25×25
		111	1900	22×35
	1800	111	1900	25×30
		91	2100	22×40
	2200	91	2200	25×35
		91	2200	30×25
	2700	74	2500	22×50
		74	2500	25×40
		74	2500	30×30
	3300	74	2500	35×25
		61	2800	25×45
	3900	61	2800	30×35
		52	3100	25×50
	4700	52	3200	30×40
		52	3200	35×30
	5600	43	3600	30×45
		43	3600	35×35
	6800	48	3500	30×50
48		3500	35×40	
6800	40	4100	35×50	
100 (125) 2A	680	293	1100	22×25
	820	243	1200	22×30
	1000	200	1400	25×25
	1200	166	1600	22×35
		166	1600	25×30
	1500	133	1800	22×40
		133	1700	25×35
	1800	133	1800	30×25
		111	2100	22×50
	2200	111	2000	25×40
		111	2100	30×30
		111	2200	35×25
	2700	91	2200	25×45
		91	2300	30×35
	3300	91	2500	35×30
		74	2600	25×50
	3900	74	2700	30×40
		61	3000	30×45
	4700	61	3100	35×35
		52	3400	30×50
5600	52	3400	35×40	
	43	4000	35×50	
160 (200) 2C	220	600	1100	22×25
	270	490	1200	22×25
	330	400	1300	22×25
	390	341	1500	22×30
		341	1500	25×25
	470	283	1600	25×30
		237	1900	22×35
	560	237	1900	25×30
		237	2000	30×25
	680	196	2100	22×40
196		2200	25×35	



◆ STANDARD RATINGS

UR (Surge Voltage) Code	Rated Capacitance	Max ESR 20°C120Hz	Rated Ripple Current 85°C120Hz	Size ΦD×L
(V)	(μF)	(mΩ)	(mA rms)	(mm)
160 (200) 2C	820	162	2500	22×50
		162	2400	25×40
		162	2500	30×30
		195	2400	35×25
	1000	133	2700	25×45
		133	2800	30×35
		160	2700	35×30
	1200	111	3100	25×50
		111	3200	30×40
		133	3000	35×35
1500	89	3700	30×45	
	107	3500	35×40	
1800	89	3900	35×45	
2200	73	4500	35×50	
200 (250) 2D	220	600	1100	22×25
	270	492	1200	22×30
	330	402	1400	22×30
		402	1400	25×25
	390	341	1600	22×35
		341	1600	25×30
	470	283	1800	22×40
		283	1900	30×25
	560	237	2000	22×45
		237	2000	25×35
		237	2100	30×30
	680	285	2000	35×25
		196	2300	25×40
		196	2400	30×35
	820	162	2600	25×50
		162	2700	30×40
		195	2500	35×30
	1000	133	3100	30×45
160		2800	35×35	
1200	111	3400	30×50	
	133	3200	35×40	
1500	107	3800	35×50	
250 (300) 2E	100	1990	680	22×25
	180	1106	940	22×25
	220	905	1100	22×30
		905	1100	25×25
	270	737	1400	22×35
		603	1400	22×40
	330	603	1400	25×30
		603	1500	30×25
		511	1600	22×45
	390	511	1600	25×35
		424	1800	22×50
	470	424	1800	25×40
		424	1800	30×30
		424	2400	35×25
		356	2000	25×45
	560	356	2000	30×35
		293	2300	30×40
	680	293	2600	35×30
243		2600	30×45	
820	243	2600	35×35	
	199	3200	35×40	
1000	166	3400	35×45	
315 (365) 2F	100	1990	670	22×25
	150	1327	850	22×30
		1327	850	25×25
	180	1106	960	22×35
		1106	960	25×30



◆ STANDARD RATINGS

UR (Surge Voltage) Code	Rated Capacitance	Max ESR 20°C120Hz	Rated Ripple Current 85°C120Hz	Size φD×L	
(V)	(μF)	(mΩ)	(mA rms)	(mm)	
315 (365) 2F	220	905	1100	22×40	
		905	1100	25×35	
		905	1100	30×25	
	270	270	737	1200	22×45
			737	1300	25×40
			737	1300	30×30
			737	1300	35×25
	330	330	603	1400	25×45
			603	1400	30×35
	390	390	511	1600	25×50
			511	1600	30×40
			511	1600	35×30
	470	470	424	1800	30×45
			424	1800	35×35
560	560	356	2000	30×50	
		356	2000	35×40	
680	680	293	2300	35×45	
350 (400) 2V	82	2427	640	22×25	
	100	1990	800	22×25	
	120	1658	820	22×30	
		1658	810	25×25	
	150	1327	940	22×35	
		1327	940	25×30	
	180	1106	1100	22×40	
		1106	1100	30×25	
	220	220	905	1200	22×45
			905	1200	25×35
			905	1200	30×30
			905	1300	35×25
	270	270	737	1400	25×45
			737	1400	30×35
	330	330	603	1600	25×50
			603	1600	35×30
	390	390	511	1700	30×40
			511	1800	35×35
470	470	424	2000	30×45	
		424	2000	35×40	
560	560	356	2300	35×45	
680	680	293	2600	35×50	
820	820	243	2800	35×60	
400 (450) 2G	68	2926	550	22×25	
	82	2427	650	22×25	
	100	1990	700	22×30	
		1990	700	25×25	
	120	1658	790	22×35	
		1327	900	22×40	
	150	1327	890	25×30	
		1327	950	30×25	
		1106	1000	22×45	
	180	180	1106	1000	25×35
			1106	1100	30×30
			1106	1200	35×25
			905	1100	22×50
	220	220	905	1200	25×40
			905	1200	30×35
			737	1300	25×45
	270	270	737	1400	25×50
			737	1500	30×40
			603	1600	35×30
	330	330	603	1700	30×45
			511	1800	35×35
	390	390	511	1800	30×50
			424	2100	35×45
	560	560	356	2300	35×50
	1000	1000	335	2500	35×70



◆ STANDARD RATINGS

UR (Surge Voltage) Code	Rated Capacitance	Max ESR 20°C120Hz	Rated Ripple Current 85°C120Hz	Size φD×L
(V)	(μF)	(mΩ)	(mA rms)	(mm)
450 (500) 2W	68	2926	570	22×30
	82	2427	680	25×25
	100	1990	720	22×35
		1990	730	25×30
	120	1658	800	22×40
		1658	830	25×35
	150	1327	950	25×40
		1327	950	30×30
		1327	980	35×25
	180	1106	1100	25×45
		1106	1100	30×35
		1106	1200	35×25
	220	905	1200	25×50
		905	1300	30×40
		905	1300	35×30
	270	737	1400	30×45
737		1500	35×35	
330	603	1700	30×50	
390	511	1900	35×45	
470	424	2200	35×50	
500 (550) 2H	100	1990	900	30×25
	120	1658	1000	30×30
		1658	1000	35×25
	150	1327	1200	30×35
	180	1106	1400	30×40
		1106	1300	35×30
	220	905	1600	30×45
		905	1500	35×35
	270	737	1800	30×50
		737	1700	35×40
330	603	2000	35×45	
390	511	2300	35×50	